



LST TOOL HANGER

The **LST Tool Hanger** provides a convenient means for lifting all sizes and models of the LITHIUM SERIES® II Electric Torque Tool. When used with a lifting hoist, repetitive tool positioning and bolting operations becomes easier than ever. The eyelet position is easily adjustable to accommodate the weight and balance of the tool when equipped with various sockets and reaction arms. Captive thumb screws make installation by hand quick and secure.

SECURE MOUNTING



The LST Tool Hanger mounts onto the tool at three fastening points to safely and securely fit onto all models and sizes of the LITHIUM SERIES II Electric Torque Tool.

ADJUSTABLE EYELET

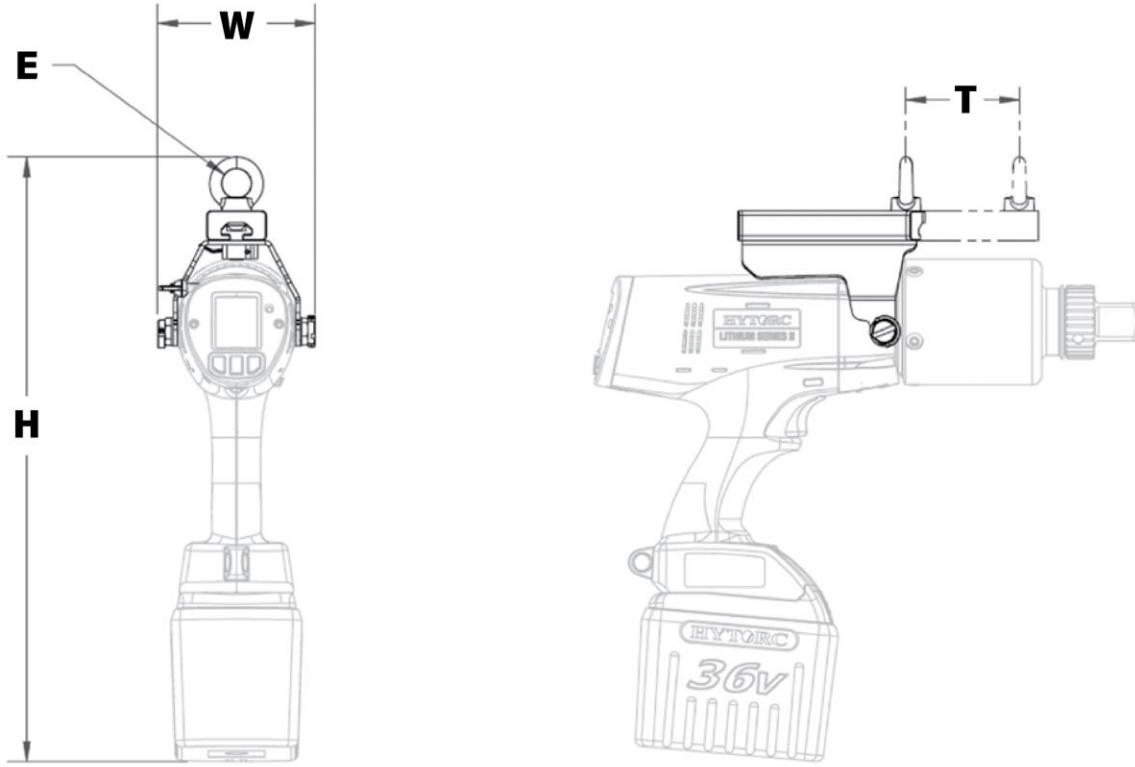


The eyelet position is adjustable, improving the hanging balance of the tool when equipped with various sockets and reaction arms. Simply actuate the thumb lever to adjust and lock to the desired position.

EASY INSTALL



Captive screws make installation quick and simple without the need for any extra tools or handling loose parts. The thumb ring on each screw provides a convenient grip for hand tightening.



LEGEND: E = EYELET H = HEIGHT T = TRAVEL W = WIDTH

CONFIGURATIONS	COMPATIBLE TOOLS	H	W	E	T	WEIGHT	
		IMPERIAL (in.)					lbs
LST-TH-L	LST-0700 LST-1200 LST-2000	16.0	4.2	Ø 0.78	3	1.4	
LST-TH-H	LST-3000 LST-5000	16.0	4.2	Ø 0.78	3	1.4	
		METRIC (mm)					kg
LST-TH-L	LST-0700 LST-1200 LST-2000	406	107	Ø 20	76	0.61	
LST-TH-H	LST-3000 LST-5000	406	107	Ø 20	76	0.61	

The World's Most Trusted Industrial Bolting Systems

HYTORC owns all content, copyrights, trademarks and patents in this document. © 2021 HYTORC. Any unauthorized use or distribution of any material from this document is strictly prohibited.



Headquarters:
12420 TEXACO RD.
HOUSTON, TX 77013

Phone:
713-453-6677

Email:
sales@hytorctexas.com

Online:
www.hytorctexas.com